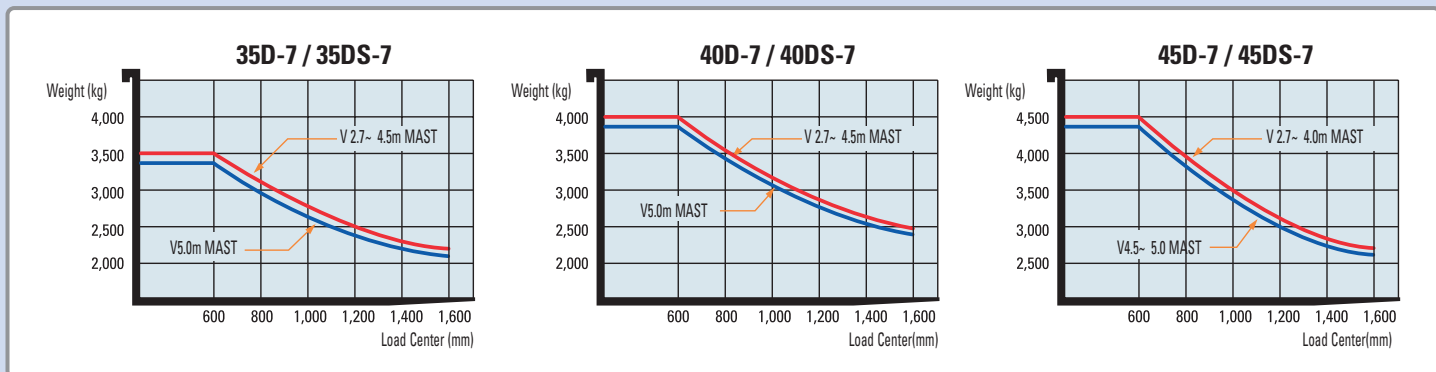


Mast Specification (35/40/45D-7, 35/40/45DS-7)

MAST TYPE	Maximum Fork Height (mm)	Overall Height(mm)								Free Lift(mm)				Load Capacity At 600mm (24 in)LC						Tilt Angle (deg)	
		Lowered (mm)		Extended(mm)						35 / 40D-7 35 / 40DS-7		45D-7 45DS-7		35D-7 35DS-7		40D-7 40DS-7		45D-7 45DS-7			
		Single	Double	35 / 40D-7 35 / 40DS-7		45D-7 45DS-7		W/Std Load Backrest	W/Std Load Backrest	W/Std Load Backrest	W/Std Load Backrest	Single	Double	Single	Double	Single	Double	Single	Double	Fwd	Bwd
				W/o Load Backrest	W/Std Load Backrest	W/o Load Backrest	W/Std Load Backrest														
DUPLEX	V270	2,700	2,085	2,070	3,565	3,936	3,585	3,946	120	120	120	120	3,500	3,500	4,000	4,000	4,500	4,500	8	10	
	*V300	3,000	2,235	2,270	3,865	4,236	3,885	4,246	120	120	120	120	3,500	3,500	4,000	4,000	4,500	4,500	8	10	
	V330	3,300	2,385	2,370	4,165	4,536	4,185	4,546	120	120	120	120	3,500	3,500	4,000	4,000	4,500	4,500	8	10	
	V350	3,500	2,535	2,520	4,365	4,736	4,385	4,746	120	120	120	120	3,500	3,500	4,000	4,000	4,500	4,500	8	10	
	V370	3,700	2,635	2,620	4,565	4,936	4,585	4,946	120	120	120	120	3,500	3,500	4,000	4,000	4,500	4,500	8	10	
	V400	4,000	2,845	2,830	4,865	5,236	4,885	5,246	120	120	120	120	3,500	3,500	4,000	4,000	4,500	4,500	8	10	
	V450	4,500	3,095	3,080	5,365	5,736	5,385	5,746	120	120	120	120	3,500	3,500	4,000	4,000	4,400	4,450	6	6	
	V500	5,000	3,345	3,330	5,865	6,236	5,885	6,246	120	120	120	120	3,350	3,400	3,850	3,900	4,200	4,300	6	6	
DUPLEX FULL FREE	VF280	2,800	2,135	2,120	3,682	4,021	3,702	4,072	1,258	919	1,238	868	3,500	3,500	4,000	4,000	4,500	4,500	6	8	
	VF300	3,000	2,235	2,220	3,882	4,221	3,902	4,272	1,358	1,019	1,338	968	3,500	3,500	4,000	4,000	4,500	4,500	6	8	
	VF315	3,150	2,325	2,310	4,032	4,371	4,052	4,422	1,448	1,109	1,428	1,058	3,500	3,500	4,000	4,000	4,500	4,500	6	8	
TRIPLEX FULL FREE	TF370	3,700	2,035	2,020	4,607	4,946	4,627	4,956	1,149	810	1,114	784	3,500	3,500	4,000	4,000	4,500	4,500	6	6	
	TF400	4,000	2,135	2,120	4,907	5,246	4,927	5,256	1,249	910	1,214	884	3,500	3,500	4,000	4,000	4,500	4,500	6	6	
	TF430	4,300	2,235	2,220	5,207	5,546	5,227	5,556	1,349	1,010	1,314	984	3,450	3,500	4,000	4,000	4,450	4,500	6	6	
	TF450	4,500	2,295	2,280	5,387	5,726	5,407	5,736	1,409	1,070	1,374	1,044	3,400	3,450	4,000	4,000	4,400	4,400	6	6	
	TF470	4,700	2,385	2,380	5,597	5,936	5,617	5,946	1,499	1,160	1,464	1,134	3,300	3,400	3,900	3,950	4,300	4,350	6	6	
	TF500	5,000	2,485	2,470	5,897	6,236	5,917	6,246	1,599	1,260	1,564	1,234	3,200	3,350	3,800	3,850	4,200	4,300	6	6	
	TF550	5,500	2,665	2,650	6,397	6,736	6,417	6,746	1,779	1,440	1,744	1,414	2,900	3,250	3,500	3,700	3,900	4,100	6	6	
	TF600	6,000	2,845	2,830	6,907	7,246	6,927	7,256	1,959	1,620	1,924	1,594	2,500	3,100	3,000	3,550	3,300	3,950	6	6	

* Standard

Load Capacity



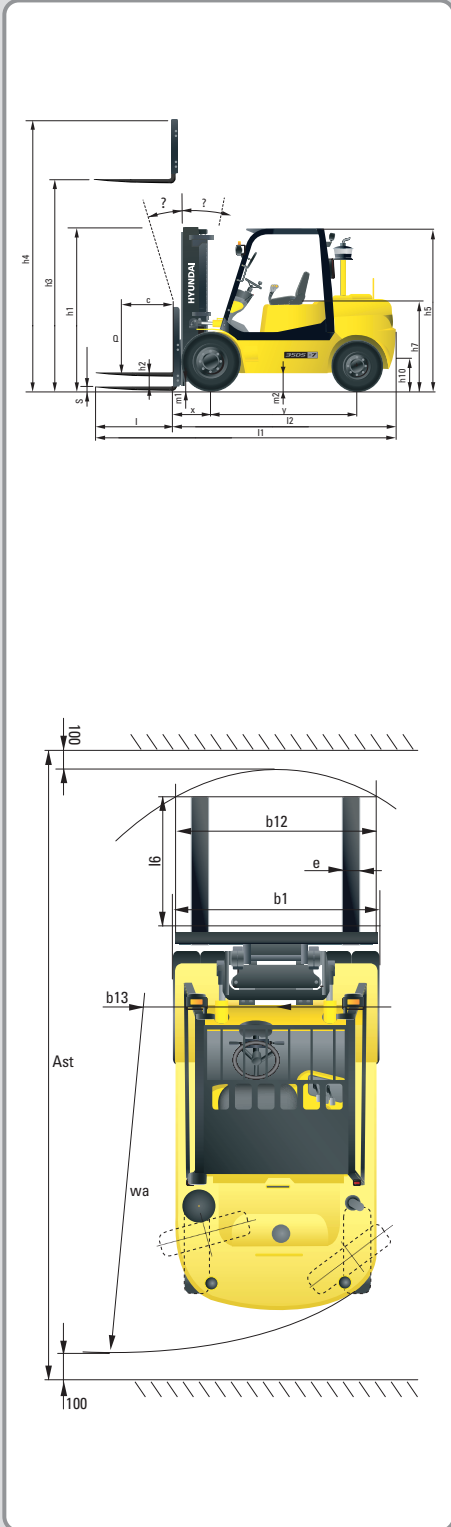
Standard Items

- MCV 3-SPOOL
- SEAT: ARM REST, SEAT BELT
- REAR WORK LAMP
- HORIZONTAL EXHAUST
- MASTER SWITCH
- TOWING HOOK
- BACK UP ALARM

Optional Items

- CABIN
Cabin without Heater / Cabin with Heater
- Fork(LxWxT)(mm)
35D: 1220 x 122 x 50 / 1370 x 122 x 50 / 1520 x 122 x 50
 1670 x 122 x 50 / 1820 x 122 x 50 / 1970 x 122 x 50
40D: 1220 x 150 x 50 / 1370 x 150 x 50 / 1520 x 150 x 50
 1670 x 150 x 50 / 1820 x 150 x 50 / 1970 x 150 x 50
45D: 1070 x 150 x 50 / 1370 x 150 x 50 / 1520 x 150 x 50
 1670 x 150 x 50 / 1820 x 150 x 50 / 1970 x 150 x 50
- VERTICAL EXHAUST
- MAST
Duplex limited free lift/Triplex limited free lift
- Fork EXTENDERS
1,800/2,000/2,200
- MCV 4-SPOOL/5-SPOOL
- SOLID TIRE, NON-MARKING
- HOSE-REEL
- HAZARD SWITCH
- BEACON LAMP
- AOPSS (Abnormal Operator Position Sensing System)

Dimension



Specification

Identification									
1.1	Manufacturer	Hyundai	Hyundai	Hyundai	Hyundai	Hyundai	Hyundai	1.1	
1.2	Manufacturer's type designation	35D-7	35DS-7	40D-7	40DS-7	45D-7	45DS-7	1.2	
1.3	Drive: electric (battery or mains), diesel, petrol, fuel gas, manual	DIESEL	DIESEL	DIESEL	DIESEL	DIESEL	DIESEL	1.3	
1.4	Type of operation: hand, pedestrian, standing, seated, order-picker	seated	seated	seated	seated	seated	seated	1.4	
1.5	Load capacity / rated load	Q (t)	3.5	3.5	4.0	4.0	4.5	4.5	
1.6	Load center distance	c (mm)	600	600	600	600	600	1.6	
1.8	Load distance, center of drive axle to fork	x (mm)	561	561	561	561	561	1.8	
1.9	Wheelbase	y (mm)	2,000	2,000	2,000	2,000	2,000	1.9	
Weights									
2.1	Service weight	kg	5,888	5,914	6,458	6,484	6,873	6,899	2.1
2.2	Axle loading, loaded front/rear	kg	8,359 / 1,029	8,375 / 1,039	9,786 / 672	9,299 / 1,185	10,706 / 667	10,083 / 1,316	2.2
2.3	Axle loading, unloaded front/rear	kg	2,829 / 3,059	2,845 / 3,069	2,964 / 3,494	2,979 / 3,505	2,957 / 3,916	2,973 / 3,926	2.3
Wheels, Chassis									
3.1	Tires: solid rubber, superelastic, pneumatic, polyurethane		pneumatic	pneumatic	pneumatic	pneumatic	pneumatic	pneumatic	3.1
3.2	Tires size, front (ø x width)		8.25 - 15 - 14	8.25 - 15 - 14	7.50 - 16 - 12	7.50 - 16 - 12	7.50 - 16 - 12	7.50 - 16 - 12	3.2
3.3	Tires size, rear (ø x width)		7.00 - 12 - 12	7.00 - 12 - 12	7.00 - 12 - 12	7.00 - 12 - 12	7.00 - 12 - 12	7.00 - 12 - 12	3.3
3.5	Wheels, number front x rear (x=driven wheels)		2 x 2	2 x 2	4 x 2	4 x 2	4 x 2	4 x 2	3.5
3.6	Track width, front	b10 (mm)	1,162	1,162	1,312	1,312	1,312	1,312	3.6
3.7	Track width, rear	b11 (mm)	1,140	1,140	1,140	1,140	1,140	1,140	3.7
Basic Dimensions									
4.1	Mast / fork carriage tilt forward / backward	degrees	8/10	8/10	8/10	8/10	8/10	8/10	4.1
4.2	Lowered mast height	h1 (mm)	2,235	2,235	2,220	2,220	2,220	2,220	4.2
4.3	Free lift	h2 (mm)	120	120	120	120	120	120	4.3
4.4	Lift height	h3 (mm)	3,000	3,000	3,000	3,000	3,000	3,000	4.4
4.5	Extended mast height	h4 (mm)	4,236	4,236	4,236	4,236	4,246	4,246	4.5
4.7	Overhead load guard (cab) height	h5 (mm)	2,240	2,240	2,240	2,240	2,240	2,240	4.7
4.8	Seat height / standing height	h7 (mm)	1,235	1,235	1,235	1,235	1,235	1,235	4.8
4.12	Coupling height	h10 (mm)	364	364	364	364	364	364	4.12
4.19	Overall length	l1 (mm)	4,140	4,140	4,195	4,195	4,405	4,405	4.19
4.20	Length to face of forks	l2 (mm)	3,070	3,070	3,125	3,125	3,185	3,185	4.20
4.21	Overall width	b1 (mm)	1,400	1,400	1,776	1,776	1,776	1,776	4.21
4.22	Fork dimensions (hook type)	s / e / l (mm)	50 x 122 x 1,070	50 x 122 x 1,070	50 x 150 x 1,070	50 x 150 x 1,070	50 x 150 x 1,070	50 x 150 x 1,070	4.22
4.23	Fork carriage ISO 2328, class / type A, B		class III	class III	class III	class III	class III	class III	4.23
4.24	Fork-carriage width	b12 (mm)	1,300	1,300	1,600	1,600	1,600	1,600	4.24
4.31	Ground clearance, loaded, under mast	m1 (mm)	170	170	155	155	155	155	4.31
4.32	Ground clearance, centre of wheelbase	m2 (mm)	215	215	200	200	200	200	4.32
4.33	Aisle width for pallets 1000x1200 crossways	Ast (mm)	4,531	4,531	4,591	4,591	4,651	4,651	4.33
4.34	Aisle width for pallets 800x1200 lengthways	Ast (mm)	4,731	4,731	4,791	4,791	4,851	4,851	4.34
4.35	Turning radius	Wa (mm)	2,770	2,770	2,830	2,830	2,890	2,890	4.35
4.36	Smallest pivot point distance	b13 (mm)	996	996	996	996	996	996	4.36
Performance Data									
5.1	Travel speed, loaded / unloaded	km/h	26.9 / 29.1	24.4 / 26.4	26.2 / 28.0	23.8 / 25.4	25.9 / 28.0	23.5 / 25.4	5.1
5.2	Lift speed, loaded / unloaded	m/s	550 / 600	570 / 600	540 / 600	560 / 600	530 / 600	550 / 600	5.2
5.3	Lowering speed, loaded / unloaded	m/s	500 / 450	500 / 450	500 / 450	500 / 450	500 / 450	500 / 450	5.3
5.5	Drawbar pull, loaded / unloaded	N	34,418 / 32,654	36,760 / 36,130	35,104 / 33,771	37,505 / 36,030	35,270 / 33,692	37,690 / 35,950	5.5
5.7	Gradient performance, loaded / unloaded	%	40.0 / 26.2	43.1 / 26.2	36.2 / 25.2	38.9 / 25.2	33.2 / 23.6	35.6 / 23.6	5.7
5.9	Acceleration time, loaded / unloaded (10m)	sec	-	-	-	-	-	-	5.9
5.10	Service brake		hydraulic	hydraulic	hydraulic	hydraulic	hydraulic	hydraulic	5.10
Engine									
6.1	Engine manufacturer / type		HMC/D4D4	MHI/S6S-DT	HMC/D4D4	MHI/S6S-DT	HMC/D4D4	MHI/S6S-DT	6.1
6.2	Engine power acc. to ISO 1585	kW	68.0	65.0	68.0	65.0	68.0	65.0	6.2
6.3	Rated speed	1/min	2,400	2,200	2,400	2,200	2,400	2,200	6.3
6.4	No. of cylinder / cubic capacity	anz/cm ³	4 / 3,907	6 / 4,996	4 / 3,907	6 / 4,996	4 / 3,907	6 / 4,996	6.4
6.5	Fuel consumption acc. To VDI cycle	l/h	-	-	-	-	-	-	6.5
Other Details									
8.1	Type of drive control		Torque Converter 2/2	Torque Converter 2/2	Torque Converter 2/2	Torque Converter 2/2	Torque Converter 2/2	Torque Converter 2/2	8.1
8.2	Operating pressure for attachments	bar	150	150	150	150	150	150	8.2
8.3	Oil volume for attachments	l/min	-	-	-	-	-	-	8.3
8.4	Sound level at driver's ear according to DIN 12 053	db(A)	87	87	87	87	87	87	8.4
8.5	Tow coupling, type DIN		-	-	-	-	-	-	8.5

1) with DZ mast +25mm; with integrated sideshift x=375mm (with DZ mast +25mm); with hook-on sideshift x=410.5mm (with DZ mast +25mm)

Contact your Hyundai dealer for more information. The machine shown may vary according to International standards.
All US measurement rounded off to nearest pounds or inches.



Head Office
(Sales Office) 1 CHEONHA-DONG, DONG-KU, ULSAN, KOREA
Tel : (82) (52) 230-7970, 7729 Fax : (82) (52) 230-7979, 7720

U.S. Operation Hyundai Construction Equipment U.S.A., Inc.
955 ESTES AVENUE ELK GROVE VILLAGE IL. 60007
Tel : (1) 847-437-3333 Fax : (1) 847-437-3574

European Operation Hyundai Heavy Industries Europe N.V.
VOSSENDAAL 11, 2440 GEEL, BELGIUM
Tel : (32) 14-562200 Fax : (32) 14-593405 - 06

PLEASE CONTACT

www.hyundai-ce.com

EN - 2006. 2 Rev 0