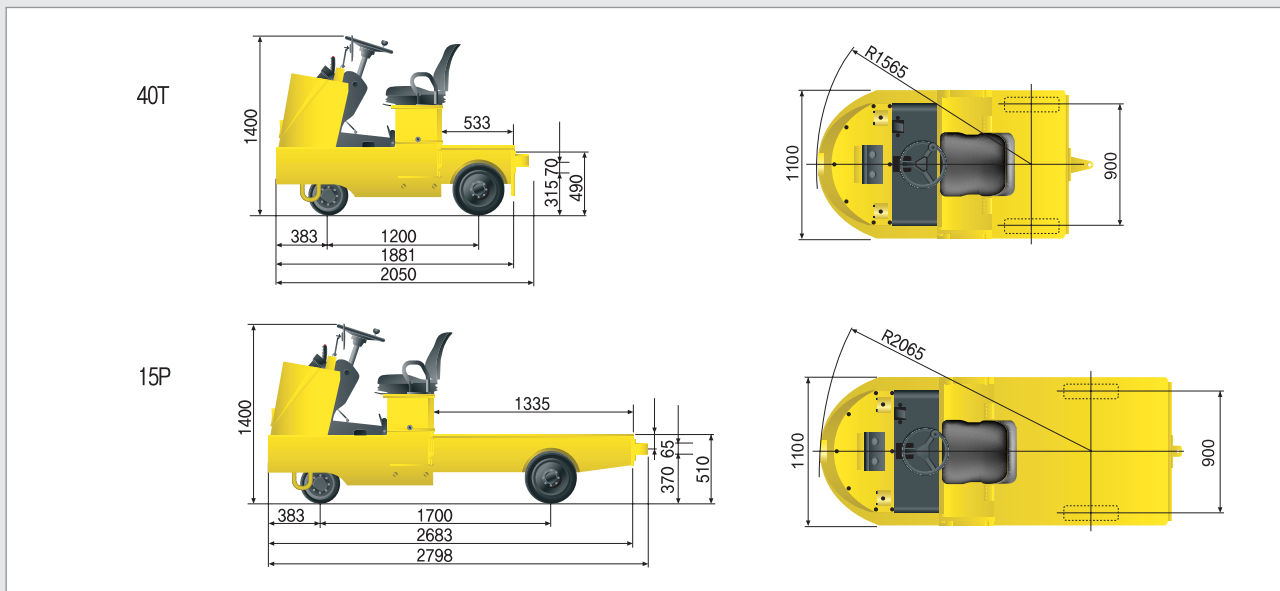


## Dimensions



## Specifications

Description		Unit	40T	15P	
PERFORMANCE	Capacity	kg	4,000	1,500	
	Travel Speed	Loaded	km/h	8	8
		Unloaded	km/h	10	10
	Outside Turning Radius	mm	1,565	2,065	
DIMENSION	Overall Length	mm	2,050	2,798	
	Overall Width	mm	1,100	1,100	
	Overall Height	mm	1,400	1,400	
	Wheel Base	mm	1,200	1,700	
	Wheel Tread – Rear	mm	900	900	
	Weight(Unloaded)	kg	1,250	1,200	
POWER TRAIN	Drive Motor	kw	2.7	2.7	
	Battery	Voltage	V	48	48
		Capacity	AH/5HR	280	280
Control Type		-	S.E.M	S.E.M	
TIRE	Size, Front	-	Φ 305x127(1)	Φ 305x127(1)	
	Size, Rear	-	4.00-8(2)	5.00-8-8PR(2)	

\* Materials and specifications are subject to change without notice. Metric is precise but U.S. standard may be rounded.

- Option: Beacon lamp, Front Urethane tire, Non-Marking Tire and Cargo-deck, Suspension seat, Head guard.

 **HYUNDAI**  
**HEAVY INDUSTRIES CO.,LTD.**  
 CONSTRUCTION EQUIPMENT DIVISION

HEAD OFFICE 1 CHEONHA - DONG, DONG-KU, ULSAN, KOREA  
 (Sales Office) TEL : (82)52)230-7970-7729 FAX:(82)52)230-7979-7720

U.S. Operation Hyundai Construction Equipment U.S.A., Inc.  
 955 ESTES AVENUE, ELK GROVE VILLAGE IL, 60007  
 TEL : (1)847 - 437 - 3333 FAX : (1)847 - 437 - 3574

European Operation Hyundai Heavy Industries Europe N.V.  
 VOSSENDAAL 11, 2440 GEEL, BELGIUM  
 TEL : (32)14 - 562200 FAX : (32)14 - 593405 ~ 06

PLEASE CONTACT

[www.hyundai-ce.com](http://www.hyundai-ce.com)

EN - 2006. 6 rev.0