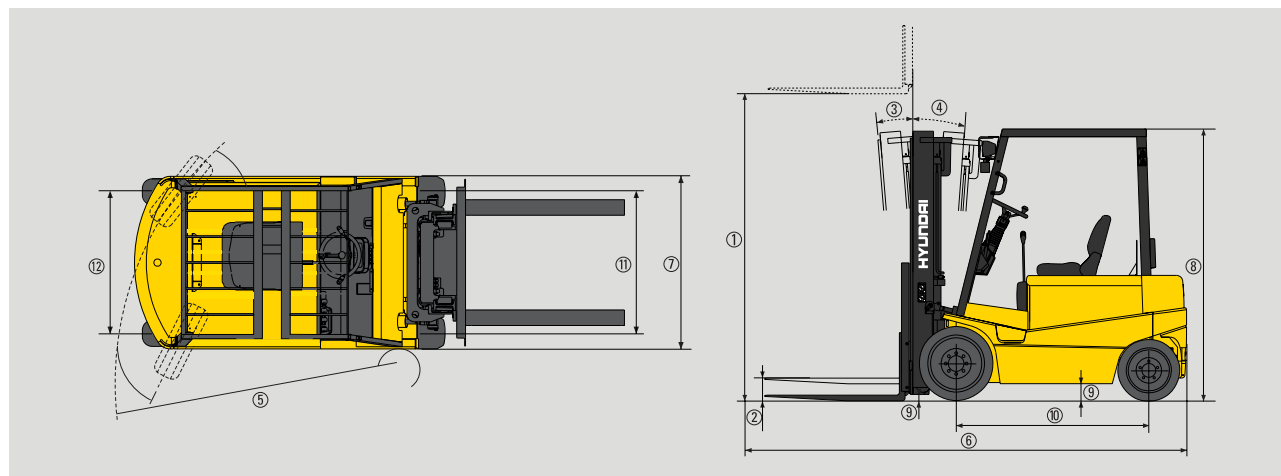


Dimension



Specification

Description		Unit	HBF15III	HBF18III	
PERFORMANCE	Load Capacity	kg (lb)	1500(3000)	1750(3500)	
	Load Center	mm (in)	500(19.7)	500(19.7)	
	Fork	Max. fork Height ①	mm (in)	3300(130)	3300(130)
		Free Lifting Height②	mm (in)	150(5.9)	150(5.9)
		With.without load	mm/sec(fpm)	340(420)	330(420)
	Mast	L x W x T	mm (in)	900 x 100 x 40(35.5 x 3.9 x 1.6)	900 x 100 x 40(35.5 x 3.9 x 1.6)
		Tilting(F③/B④)	deg	6/10	6/10
	Truck	Travel Speed(Unloaded)	km/hr (mph)	14.7(9.2)	14.5(9)
		Gradeability(loaded)	%(deg)	25(13.9)	23(12.6)
		Outside Turning Radius Min.⑤	mm (in)	1776(69.9)	1806(71.1)
DIMENSION	90° intersecting	mm (in)	1880(74)	1920(76)	
	90° stacking	mm (in)	3340(131)	3380(133)	
	Weight(Unloaded)	kg (lb)	3106(126)	3333(135)	
	Overall Length ⑥	mm (in)	2859(113)	2899(114)	
	Overall Width ⑦	mm (in)	1070(42)	1070(42)	
	Overhead Guard Height ⑧	mm (in)	2110(83)	2110(83)	
	Ground Clearance ⑨(Front / Center)	mm (in)	110(4.3) / 120(4.7)	110(4.3) / 120(4.7)	
	Wheel Base ⑩	mm (in)	1250(48.8)	1250(48.8)	
Tire	Tread(Front ⑪ / Rear ⑫)	mm (in)	915/905	915/905	
	Front	—	21 x 8-9	21 x 8-9	
Motor	Rear	—	5.00-8	5.00-8	
	Drive	kW	7.5	7.5	
Battery	Hydraulic	kW	8.5	8.5	
	Voltage	V	48	48	
	Capacity	AH/HR	450/5	520/5	
	Weight (Wet Type)	kg (lb)	762(1679)	781(1722)	
Controller Type		—	FET	FET	

* Materials and specifications are subject to change without notice. Metric is precise but U.S. standard may be rounded.

HYUNDAI
HEAVY INDUSTRIES CO.,LTD.
CONSTRUCTION EQUIPMENT DIVISION

HEAD OFFICE 1 CHEONHA - DONG, DONG-KU, ULSAN, KOREA
(Sales Office) TEL : (82)(52)230 - 2114 FAX (82)(52)230 -7979
HCE U.S.A. 955 ESTES AVENUE ELK GROVE VILAGE IL. 60007
TEL : (1)847 - 437 - 3333 FAX : (1)847 - 437 - 3574
HHI EUROPE N.V. VOSSENDAAL 11, 2440 GEEL, BELGIUM
TEL : (32)14 - 562200 FAX : (32)14 - 593405 - 06

PLEASE CONTACT

www.hyundai-ce.com

2003. 06 rev 1

HBF15/18 III

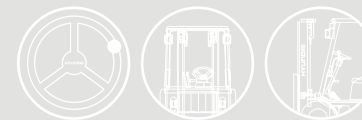
Hyundai New III Series

Electric Forklift 1.5 / 1.8 ton



* Photo may include optional equipment

HYUNDAI
HEAVY INDUSTRIES CO.,LTD.



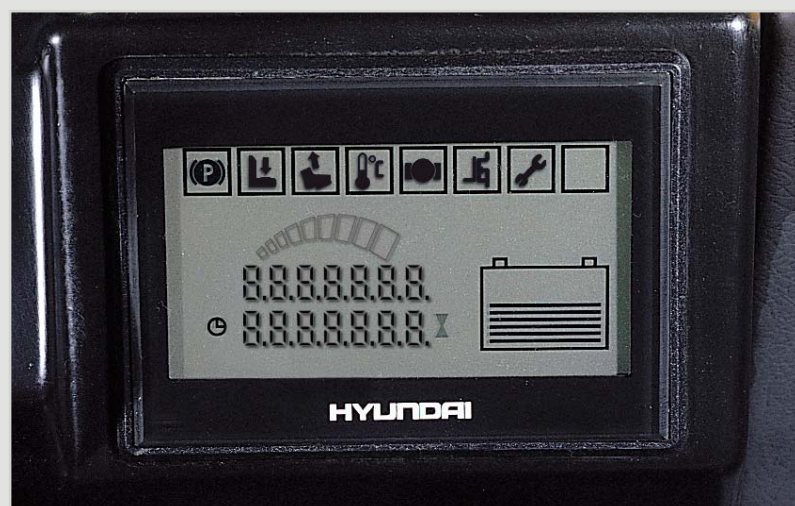
An Advanced, Efficient Control System Provides High Performance And Low Maintenance

An exceptional, extremely programmable, self-diagnostic controller allows the truck to be adjusted to the operator and work environment.



High technology SEVCON controller

The efficient, almost noiseless, 16khz (high frequency) SEVCON controller provides smooth operation and self protects for low & high voltage, overheating and fault recording.



Self diagnostic LCD Monitor

LCD Monitor has a back-light system to provide clear viewing of the system operation in all environments. The monitor provides operation error, system fault, battery level, hour meter plus other customer selected display functions. A low battery function is built into the system to protect over discharge.



Excellent Braking

Self-adjusting automotive type brakes provide for safe, controlled stops.

Function Adjustments For Operation Suitability

- Acceleration & Creep
- Top Speed
- Plugging time and distance adjustment
- Operation Procedure Selection (selected for safe operation)
- Other service provider or end user functions



Quiet and Durable Hydraulic Pump

High capacity, easy access hydraulic pump is mounted on the left side rail for quick maintenance.



Large, Easy Access Battery Compartment

SEVCON controller's artificial intelligence system provides protection from over discharged battery conditions.



Anti-Rollback System

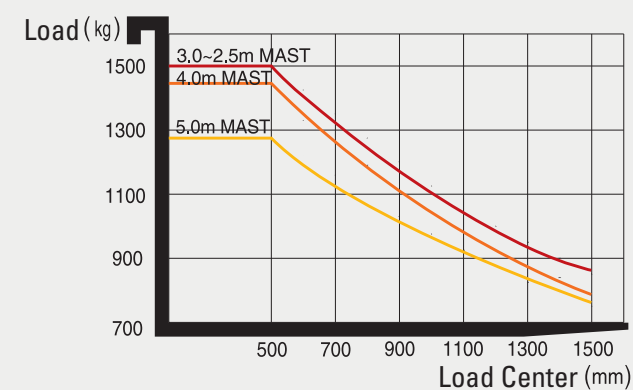
SEVCON's anti-rollback system provides safe ramp operation plus exceptional ramp start capabilities.

Mast Specification

Mast Type	Maximum Fork Height	Overall Height				Free Lift		Tilt Angle		Load Capacity at 500 mm LC(24 in LC)	
		Lowered	Extended		Without Load Backrest	With Std Load Backrest	Fwd	Bwd	HBF15III	HBF18III	
			W/o Load Backrest	W/Std Load Backrest							deg
mm(in)	mm(in)	mm(in)	mm(in)	mm(in)	mm(in)	deg	kg(lb)	kg(lb)			
2 - Stage limited free lift	V250	2500(98.4)	1745(68.7)	3055(120.3)	3552(139.8)	150 (5.9)	150 (5.9)	6	10	1500 (3000)	1750 (3500)
	V270	2700(106.3)	1845(72.6)	3255(128.1)	3752(147.7)	150 (5.9)	150 (5.9)	6	10	1500 (3000)	1750 (3500)
	V300	3000(118.1)	1995(78.5)	3555(140.0)	4052(159.5)	150 (5.9)	150 (5.9)	6	10	1500 (3000)	1750 (3500)
	V330	3300(129.9)	2145(84.4)	3855(151.8)	4352(171.3)	150 (5.9)	150 (5.9)	6	10	1500 (3000)	1750 (3500)
	V350	3500(137.8)	2245(88.4)	4055(159.6)	4552(179.2)	150 (5.9)	150 (5.9)	6	10	1500 (3000)	1750 (3500)
	V370	3700(145.7)	2345(92.3)	4255(167.5)	4752(187.1)	150 (5.9)	150 (5.9)	6	10	1500 (3000)	1700 (3500)
	V400	4000(157.4)	2495(98.2)	4555(179.3)	5052(198.9)	150 (5.9)	150 (5.9)	6	10	1450(3000)	1650 (3400)
	V450	4500(177.2)	2845(112.0)	5055(199.0)	5552(218.6)	150 (5.9)	150 (5.9)	6	5	1400(2790)	1600 (3250)
	V500	5000(196.9)	3095(121.8)	5555(218.7)	6052(238.3)	150 (5.9)	150 (5.9)	6	5	1250(2650)	1450 (3040)
	V550	5500(216.5)	3345(131.7)	6055(238.4)	6552(258.0)	150 (5.9)	150 (5.9)	6	5	850(1820)	950 (2040)
3 - Stage full free lift	TF370	3700(145.7)	1795(70.7)	4245(167.1)	4742(186.7)	1290(50.8)	793(31.2)	6	5	1450(2920)	1650 (3350)
	TF400	4000(157.4)	1895(74.6)	4545(178.9)	5042(198.5)	1390(54.7)	893(35.2)	6	5	1400(2870)	1600 (3260)
	TF430	4300(169.3)	1995(78.5)	4845(190.7)	5342(210.3)	1490(58.7)	993(39.1)	6	5	1350(2800)	1550 (3160)
	TF450	4500(177.2)	2095(82.5)	5045(198.6)	5542(218.2)	1590(62.6)	1093(43.0)	6	5	1325(2760)	1500 (3120)
	TF470	4700(185.0)	2145(84.5)	5245(206.5)	5742(226.1)	1640(64.6)	1143(45.0)	6	5	1300(2700)	1450 (3070)
	TF500	5000(196.9)	2245(88.4)	5545(218.3)	6042(237.9)	1740(68.5)	1243(48.9)	6	5	1200(2560)	1400 (2950)
	TF550	5500(216.5)	2445(96.3)	6045(238.0)	6542(257.6)	1940(76.4)	1443(56.8)	6	5	850(1830)	950 (2050)
	TF600	6000(236.2)	2645(104.1)	6545(257.7)	7042(277.2)	2140(84.3)	1643(64.7)	6	5	700(1490)	800 (1710)

Load Capacity

HBF15III



HBF18III

