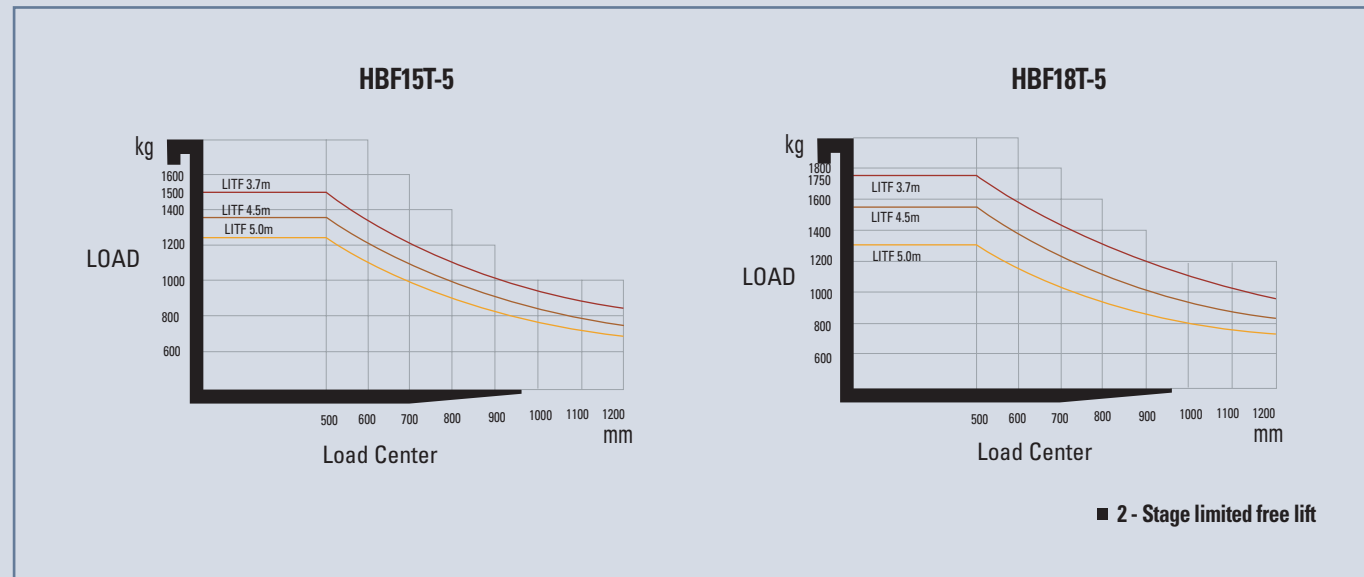


## Mast Specification

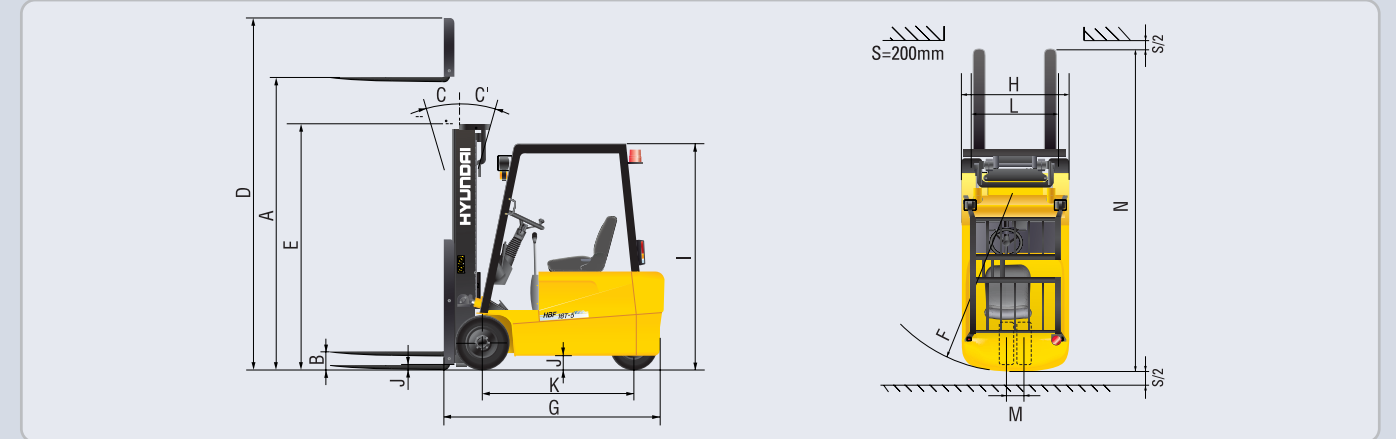
Mast Type	Maximum Fork Height	Overall Height				Free Lift		Tilt Angle		Load Capacity at 500mm LC (24in LC)	
		Lowered	Extended		Without Load Backrest	With Std Load Backrest	Fwd	Bwd	HBF15T-5	HBF18T-5	
			W/o Load Backrest	W/Std Load Backrest							kg(lb)
mm(in)	mm(in)	mm(in)	mm(in)	mm(in)	mm(in)	deg					
2 / Stage limited free lift	V250	2,500(98.4)	1,720(67.7)	3,055(120.3)	3,552(139.8)	130(5.1)	130(5.1)	5	7	1,500(3,000)	1,750(3,500)
	V270	2,700(106.3)	1,820(71.6)	3,255(128.1)	3,752(147.7)	130(5.1)	130(5.1)	5	7	1,500(3,000)	1,750(3,500)
	V300	3,000(118.1)	1,970(77.5)	3,555(140.0)	4,052(159.5)	130(5.1)	130(5.1)	5	7	1,500(3,000)	1,750(3,500)
	*V330	3,300(129.9)	2,120(83.4)	3,855(151.8)	4,352(171.3)	130(5.1)	130(5.1)	5	7	1,500(3,000)	1,750(3,500)
	V350	3,500(137.8)	2,220(87.4)	4,055(159.6)	4,552(179.2)	130(5.1)	130(5.1)	5	7	1,500(3,000)	1,750(3,500)
	V370	3,700(145.7)	2,320(91.3)	4,255(167.5)	4,752(187.0)	130(5.1)	130(5.1)	5	7	1,500(3,000)	1,750(3,500)
	V400	4,000(157.4)	2,470(97.2)	4,555(179.3)	5,052(198.9)	130(5.1)	130(5.1)	5	7	1,450(2,890)	1,700(3,400)
	V450	4,500(177.2)	2,820(111.0)	5,055(199.0)	5,552(218.6)	130(5.1)	130(5.1)	5	5	1,350(2,690)	1,550(3,090)
	V500	5,000(196.9)	3,070(120.8)	5,555(218.7)	6,052(238.3)	130(5.1)	130(5.1)	5	5	1,250(2,490)	1,300(2,620)
V550	5,500(216.5)	3,320(130.7)	6,055(238.4)	6,552(258.0)	130(5.1)	130(5.1)	5	5	1,000(2,010)	1,050(2,120)	
3 / Stage full free lift	TF370	3,700(145.7)	1,770(69.7)	4,303(169.4)	4,742(186.7)	1,202(47.3)	763(30.0)	5	5	1,400(2,800)	1,600(3,200)
	TF400	4,000(157.4)	1,870(73.6)	4,603(181.2)	5,042(198.5)	1,302(51.3)	863(34.0)	5	5	1,400(2,800)	1,600(3,200)
	TF430	4,300(169.3)	1,970(77.6)	4,903(193.0)	5,342(210.3)	1,402(55.2)	963(37.9)	5	5	1,350(2,690)	1,550(3,090)
	TF450	4,500(177.2)	2,070(81.5)	5,103(200.9)	5,542(218.2)	1,502(59.1)	1,063(41.9)	5	5	1,250(2,490)	1,450(2,910)
	TF470	4,700(185.0)	2,120(83.5)	5,303(208.8)	5,742(226.1)	1,552(61.1)	1,113(43.8)	5	5	1,200(2,400)	1,400(2,800)
	TF500	5,000(196.9)	2,220(87.4)	5,603(220.6)	6,042(237.9)	1,652(65.0)	1,213(47.8)	5	5	1,100(2,200)	1,200(2,430)
	TF550	5,500(216.5)	2,420(95.3)	6,103(240.3)	6,542(257.6)	1,852(72.9)	1,413(55.6)	5	5	900(1,810)	950(1,920)
	TF600	6,000(236.2)	2,620(103.1)	6,603(260.0)	7,042(277.2)	2,052(80.8)	1,613(63.5)	5	5	650(1,320)	700(1,430)

\* Standard

## Load Capacity



## Dimension



## Specification

Description	Unit	HBF 15T-5		HBF18T-5			
		48V	36V	48V	36V		
Load Capacity	kg (lb)	1,500(3,000)		1,750(3,500)			
Load Center	mm (in)	500(24)		500(24)			
Fork	Lifting Speed	Load	mm/sec(fpm)	320(65)	240(47.2)	310(61)	220(43.3)
		Unload	mm/sec(fpm)	480(94.5)	375(73.8)	480(94.5)	375(73.8)
	Lowering Speed	Load	mm/sec(fpm)	500(98)		500(98)	
		Unload	mm/sec(fpm)	450(89)		450(89)	
L x W x T	mm (in)	900 x 100 x 40(35.4 x 4 x 1.6)		900 x 100 x 40(35.4 x 4 x 1.6)			
Body	Travel Speed(Unloaded)	km/hr (mph)	16.0(9.9)	12.4(7.7)	15.8(9.8)	12.3(7.6)	
	Gradeability	%(deg)	19.6(11)	14.7(8.3)	17.8(10.1)	13.4(7.6)	
Weight (Unloaded)	kg(lb)	2,915(6,427)		3,100(6,834)			
A Max. Lifting Height	mm (in)	3,300(130)		3,300(130)			
B Free Lifting Height	mm (in)	130(5.1)		130(5.1)			
C Tilting (Forward)	deg	5		5			
C' Tilting (Backward)	deg	7		7			
D Max. Height	mm (in)	4,352(171)		4,352(171)			
E Min. Height	mm (in)	2,120(83.5)		2,120(83.5)			
F Outside Turning Radius Min.	mm (in)	1,500(59.1)		1,550(61)			
G Overall Length to fork face	mm (in)	1,860(73.2)		1,910(75.2)			
H Overall Width	mm (in)	1,070(42.1)		1,070(42.1)			
I Overhead Guard Height	mm (in)	1,950(76.8)		1,950(76.8)			
J Ground Clearance	At lowest point	mm (in)	85(3.3)		85(3.3)		
	Center of wheel base	mm (in)	90(3.5)		90(3.5)		
K Wheel Base	mm (in)	1,295(51)		1,295(51)			
L Wheel Tread - Front	mm (in)	895(35.2)		895(35.2)			
M Wheel Tread - Rear	mm (in)	205(8.1)		205(8.1)			
N Right Angle Stacking Aisle Width with pallets 1,000 x 1,200 [L x W]	mm (in)	2,985(117.5)		3,035(119.4)			
ELECTRICAL MOTOR	Drive motor (SEM)	kW(ps)	5.5(7.4) x 2	4.5(6.1) x 2	5.5(7.4) x 2	4.5(6.1) x 2	
	Pump motor (Series)	kW(ps)	12.2(16.6)	8.8(11.9)	12.2(16.6)	8.8(11.9)	
BATTERY	Battery Weight	Min	830(1,830)		830(1,830)		
		Max	1,060(2,340)		1,060(2,340)		
Battery Compartment Size (L x W x H)	mm (in)	990 x 545 x 635(39 x 21.5 x 25)		990 x 545 x 635(39 x 21.5 x 25)			
TIRE & WHEELS	With load front/rear	kg(lb)	3,900/515(8,580/1,133)		4,290/560(9,438/1,232)		
	Without load front/rear	kg(lb)	1,405/1,510(3,091/3,322)		1,380/1,720(3,036/3,784)		
	Tire type (SE=Super Elastic, C=Cushion)	-	SE, C		SE, C		
	Number front/rear	-	2/2		2/2		
	Size- front	-	18x7-8		18x7-8		
Size- rear	-	16x6-8		16x6-8			
CONTROLLER TYPE	Electrical Drive	-	MOSFET (DC SEM)		MOSFET (DC SEM)		
	Load Handling	-	MOSFET (DC Series)		MOSFET (DC Series)		