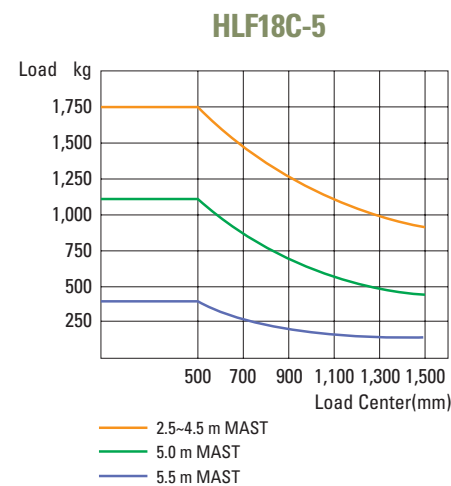
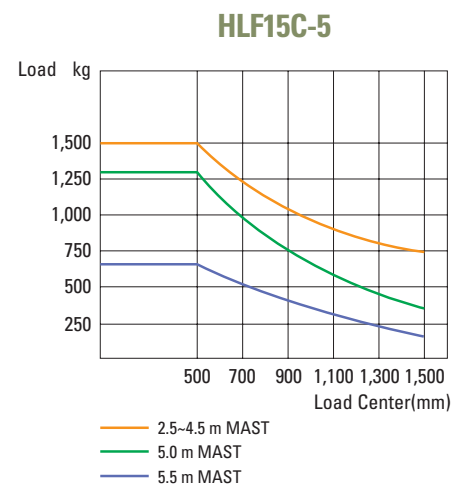


## Mast Specification

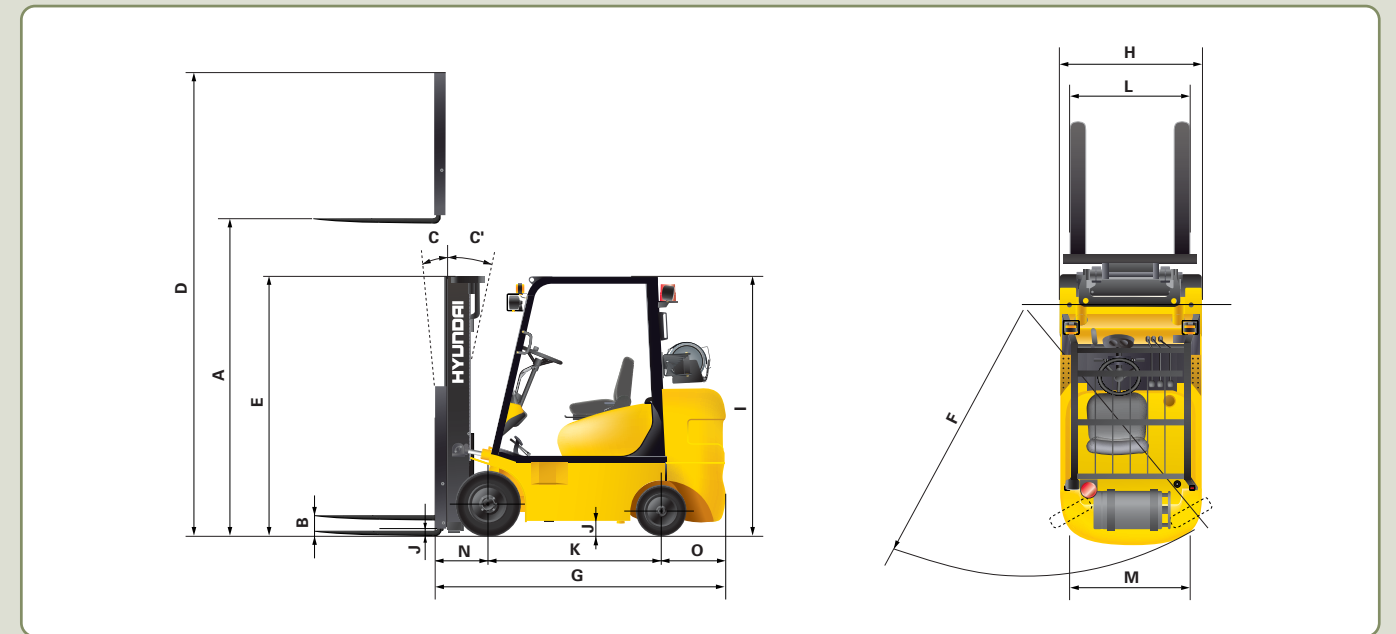
TYPE MAST	Maximum Fork Height	Overall Height(mm)			Free Lift(mm)		Tilt Angle		Load Capacity at 500 mm(24 in)LC		Truck weight unloaded	
		Lowered	Extended		W/o Load Backrest	W/Std Load Backrest	Fwd	Bwd	HLF15C-5	HLF18C-5	HLF15C-5	HLF18C-5
			W/o Load Backrest	W/Std Load Backrest								
v250	2500(98.4)	1725(67.9)	3066(120.7)	3532(139.0)	115(4.5)	115(4.5)	6	8	1500(3000)	1750(3500)	2813(6202)	3013(6643)
v270	2700(106.3)	1825(71.9)	3266(128.6)	3732(146.9)	115(4.5)	115(4.5)	6	8	1500(3000)	1750(3500)	2826(6230)	3026(6671)
V300	3000(118.1)	1975(77.8)	3566(140.4)	4032(158.7)	115(4.5)	115(4.5)	6	8	1500(3000)	1750(3500)	2845(6272)	3045(6713)
V330	3300(129.9)	2125(83.7)	3866(152.2)	4332(170.5)	115(4.5)	115(4.5)	6	8	1500(3000)	1750(3500)	2864(6315)	3064(6756)
V350	3500(137.8)	2225(87.6)	4066(160.1)	4532(178.4)	115(4.5)	115(4.5)	6	8	1500(3000)	1750(3500)	2877(6342)	3077(6783)
V370	3700(145.7)	2325(91.5)	4266(168.0)	4732(186.3)	115(4.5)	115(4.5)	6	8	1500(3000)	1750(3500)	2890(6370)	3090(6811)
V400	4000(157.4)	2475(97.4)	4566(178.4)	5032(198.1)	115(4.5)	115(4.5)	6	8	1500(3000)	1750(3500)	2915(6427)	3115(6868)
V450	4500(177.2)	2825(112.2)	5066(199.4)	5532(217.8)	115(4.5)	115(4.5)	6	6	1500(3000)	1750(3500)	2977(6563)	3177(7004)
V500	5000(196.9)	3075(121.1)	5566(219.1)	6032(237.5)	115(4.5)	115(4.5)	6	6	1300(2550)	1100(2200)	3009(6634)	3209(7074)
V550	5500(216.5)	3325(130.9)	6066(238.8)	6532(257.2)	115(4.5)	115(4.5)	6	6	650(1200)	400(650)	3041(6704)	3241(7145)
TF370	3700(145.7)	1775(69.9)	4276(168.3)	4742(186.7)	1269(50.0)	768(30.2)	6	6	1475(3000)	1700(3500)	2962(6529)	3162(6970)
TF400	4000(157.4)	1875(73.8)	4576(180.1)	5042(198.5)	1369(53.9)	868(34.2)	6	6	1475(3000)	1700(3500)	2981(6571)	3181(7012)
TF430	4300(169.3)	1975(77.8)	4876(191.9)	5342(210.3)	1469(57.8)	968(38.1)	6	6	1475(3000)	1650(3400)	2999(6612)	3199(7053)
TF450	4500(177.2)	2075(81.7)	5076(199.8)	5542(218.2)	1569(61.8)	1068(42.0)	6	6	1450(2975)	1600(3300)	3018(6653)	3218(7094)
TF470	4700(185.0)	2125(83.7)	5276(207.7)	5742(226.0)	1619(63.7)	1118(44.0)	6	6	1400(2850)	1500(3100)	3028(6676)	3228(7116)
TF500	5000(196.9)	2225(87.6)	5576(219.5)	6042(237.9)	1719(67.7)	1218(48.0)	6	6	1300(2650)	1450(3000)	3047(6718)	3247(7159)
TF550	5500(216.5)	2425(95.5)	6076(239.2)	6542(257.5)	1919(75.6)	1418(55.8)	6	6	750(1450)	600(1100)	3084(6800)	3284(7241)
TF600	6000(236.2)	2625(103.3)	6576(258.9)	7042(277.2)	2119(83.4)	1618(63.7)	6	6	400(650)	300(550)	3142(6926)	3342(7367)
TF650	6500(255.9)	2825(111.2)	7076(278.6)	7542(296.9)	2319(91.3)	1818(71.6)	3	3	350(550)	250(450)	3183(7017)	3383(7458)
TF700	7000(275.6)	3025(119.1)	7576(298.2)	8042(316.6)	2519(99.2)	2018(79.4)	3	3	300(450)	200(400)	3222(7102)	3422(7543)

## Load Capacity



■ 2-Stage limited free lift

## Dimension



## Specification

Description		Unit	HLF15C-5	HLF18C-5	
PERFORMANCE	Load Capacity	kg (lb)	1500(3000)	1,750(3,500)	
	Load Center	mm (in)	500(24)	500(24)	
	Fork	Lifting Speed	Load	mm/sec(fpm)	590(116)
			Unload	mm/sec(fpm)	710(139.8)
		Lowering Speed	Load	mm/sec(fpm)	510(108.4)
			Unload	mm/sec(fpm)	460(90.6)
	L x W x T		mm (in)	1,050x100x35(41.3x3.9x1.3)	1,050x100x35(41.3x3.9x1.3)
	Body	Travel Speed(Unloaded)	km/hr (mph)	19.4(12.1)	19.4(12.1)
		Gradeability	%(deg)	31.7(17.6)	28.0(15.7)
		90° Intersection	mm (in)	1,852(72.9)	1,882(74)
90° Staking		mm (in)	2,285(90)	2,315(91.1)	
Weight(Unloaded)		kg(lb)	2,864(6,315)	3,064(6,756)	
DIMENSION	A Max. Lifting Height	mm (in)	3,300(130)	3,300(130)	
	B Free Lifting Height	mm (in)	115(4.5)	115(4.5)	
	C Tilting (Forward)	deg	6	6	
	C' Tilting (Backward)	deg	8	8	
	D Max. Height	mm (in)	4,332(170.5)	4,332(170.5)	
	E Min. Height	mm (in)	2,125(83.6)	2,125(83.6)	
	F Outside Turning Radius Min.	mm (in)	1,900(74.8)	1,930(76)	
	G Overall Length to fork face	mm (in)	2,095(82.5)	2,125(83.6)	
	H Overall Width	mm (in)	960(37.8)	960(37.8)	
	I Overhead Guard Height	mm (in)	2,175(85.6)	2,175(85.6)	
	J Ground Clearance	At the lowest point	mm (in)	90(3.5)	90(3.5)
		Center of wheel base	mm (in)	100(3.9)	100(3.9)
	K Wheel Base	mm (in)	1,250(49.2)	1,250(49.2)	
	L Wheel Tread - Front	mm (in)	808(31.8)	808(31.8)	
	M Wheel Tread - Rear	mm (in)	815(32.1)	815(32.1)	
	N Overhang-front	mm (in)	385(15.1)	385(15.1)	
	O Overhang-rear	mm (in)	460(18.1)	490(19.3)	
ENGINE	Model	-	MITSUBISHI 4G63-32HL	MITSUBISHI 4G63-32HL	
	Rated rpm	ps/rpm(kW/rpm)	39(29)/2,300	39(29)/2,300	
	Max. Engine Torque	kgf·m/rpm(lbf·ft/rpm)	13.7(100)/1,500	13.7(100)/1,500	
	Displacement	cc(cu-in)	1,997(122)	1,997(122)	
TIRE	Front - Drive	-	18 x 6 x 12.125	18 x 6 x 12.125	
	Rear - Load	-	14 x 4.5 x 8	14 x 4.5 x 8	